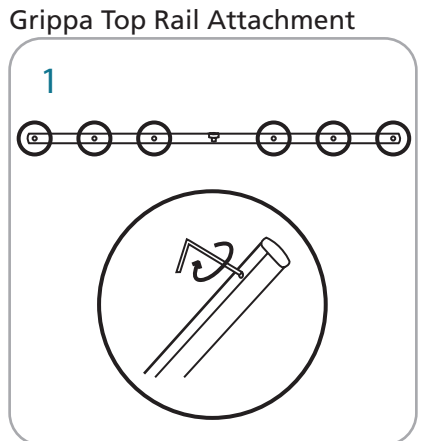
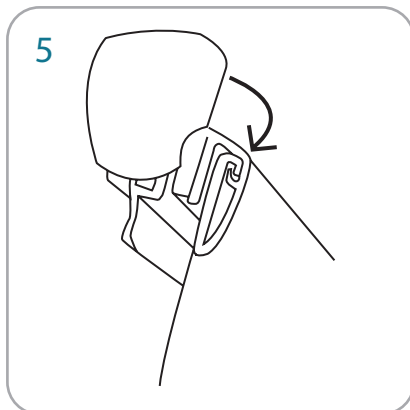
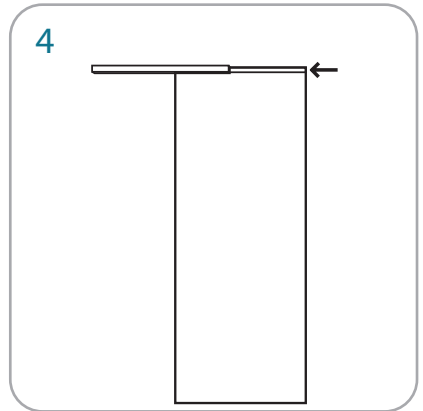
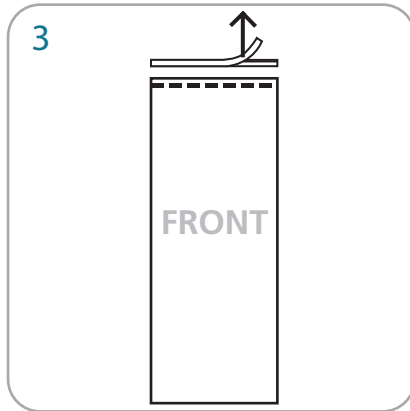
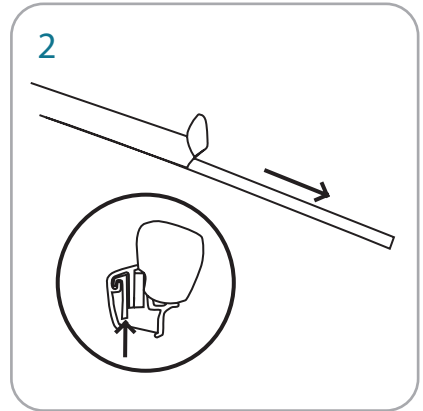
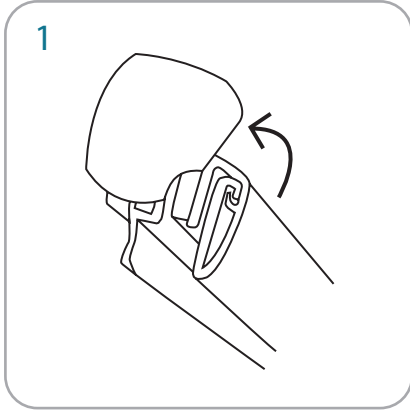
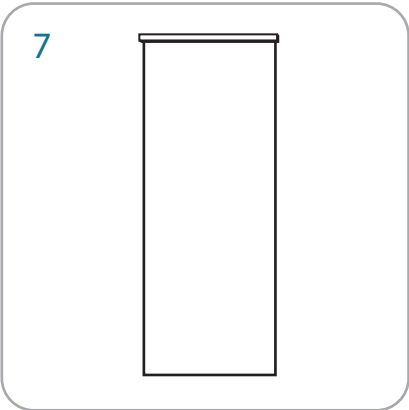
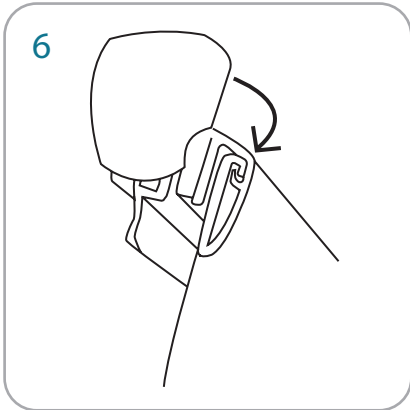
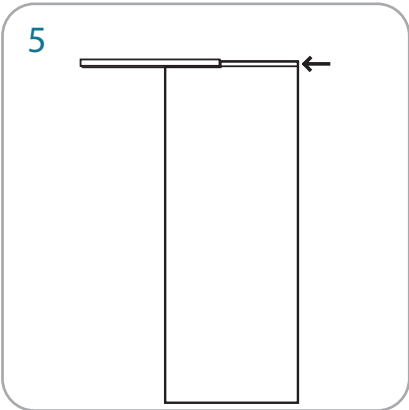
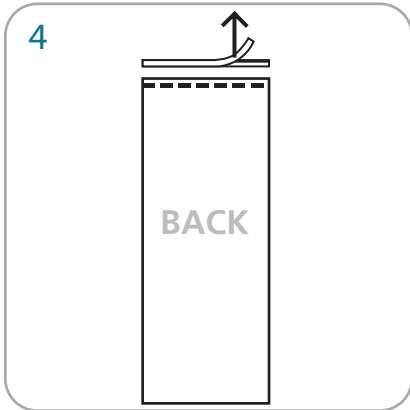
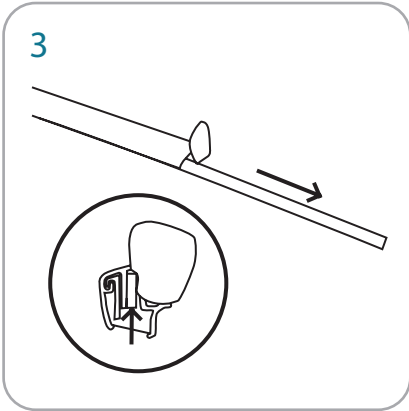
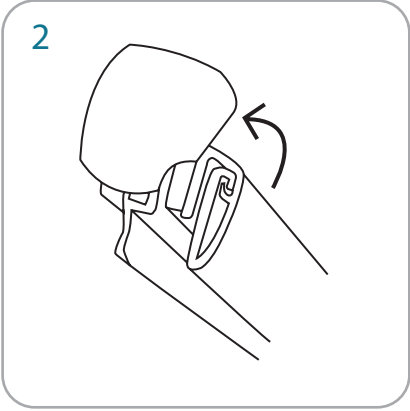


The Orient is a simplistic and elegantly designed banner stand that has the capability to be double sided. Dual retractor mechanisms allow you to present two graphics back to back. It is finished in anodized silver or black with heavy duty molded endplates. Padded carry bag is included.

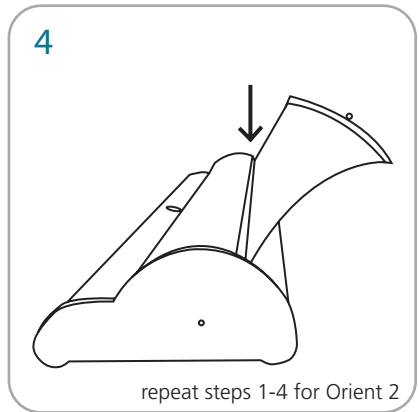
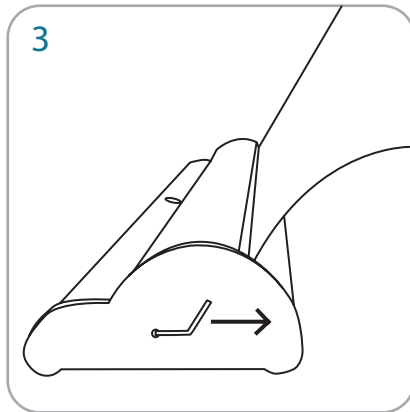
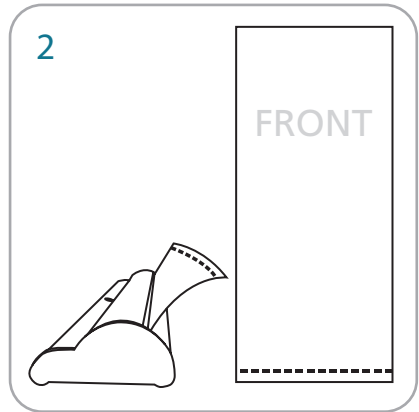
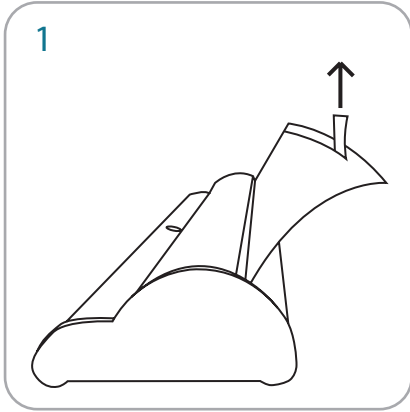


### Adhesive Top Rail Attachment

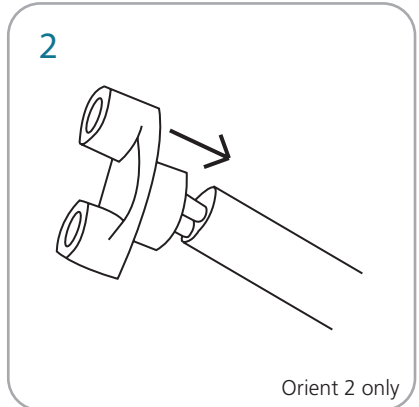
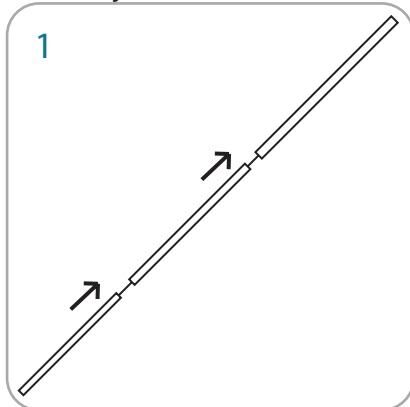


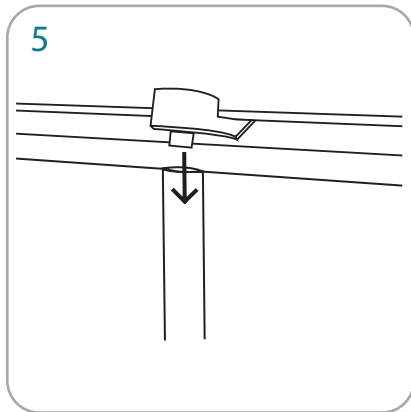
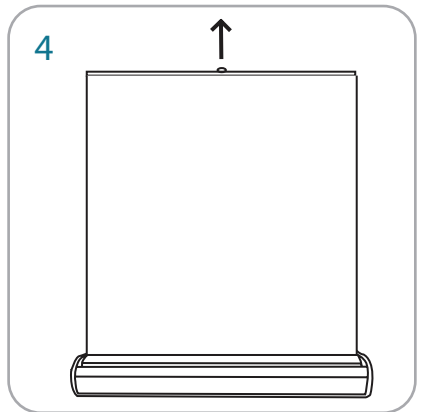
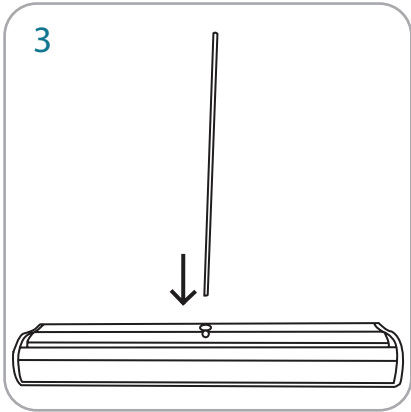


Attaching Graphic to Leader strip



Assembly Instructions





## Features and Benefits

- Variable width
- Molded endplates
- Can be single or double sided
- Supplied with quality carry bag
- Available in anodized silver or black
- Integrated pole storage for the 3 piece bungee cord pole

## Dimensions

Orient Base Hardware Dimensions	Orient 2 Base Hardware Dimensions
<b>Orient 800:</b> 32.5" w x 7.25" d x 3.5" h 825.5mm w x 184.15mm d x 88.9mm h	<b>Orient 2 800:</b> 32.5" w x 9.56" d x 3.5" h 825.5mm w x 242.824mm d x 88.9mm h
<b>Orient 920:</b> 36.75" w x 7.25" d x 3.5" h 933.45mm w x 184.15mm d x 88.9mm h	<b>Orient 2 920:</b> 36.75" w x 9.56" d x 3.5" h 933.45mm w x 242.824mm d x 88.9mm h
<b>Orient 1000:</b> 40.275" w x 7.25" d x 3.5" h 1022.985mm w x 184.15mm d x 88.9mm h	<b>Orient 2 1000:</b> 40.275" w x 9.56" d x 3.5" h 1022.985mm w x 242.824mm d x 88.9mm h
Orient Graphic Dimensions	Orient 2 Graphic Dimensions
<b>Orient 800:</b> 31.5" w x 83.25" h 800.4mm w x 2114.55mm h	<b>Orient 2 800:</b> 31.5" w x 83.25" h 800.4mm w x 2114.55mm h
<b>Orient 920:</b> 35.5" w x 83.25" h 901.7mm w x 2114.55mm h	<b>Orient 2 920:</b> 35.5" w x 83.25" h 901.7mm w x 2114.55mm h
<b>Orient 1000:</b> 39.25" w x 83.25" h 996.95mm w x 2114.55mm h	<b>Orient 2 1000:</b> 39.25" w x 83.25" h 996.95mm w x 2114.55mm h
All require an additional 1/2" bleed at top and 6" bleed a bottom	All require an additional 1/2" bleed at top and 6" bleed a bottom

## Additional Information

### Shipping Weights & Dimensions

<b>Orient 800:</b> 36" x 10" x 6" 914.4mm x 304.8mm x 152.4mm	11 lbs 4.99 kg	<b>Orient 2 800:</b> 36" x 12" x 12" 914.4mm x 304.8mm x 304.8mm	16 lbs 7.25 kg
<b>Orient 920:</b> 43" x 10" x 6" 1092.2mm x 304.8mm x 152.4mm	12 lbs 5.44 kg	<b>Orient 2 920:</b> 43" x 12" x 12" 1092.2mm x 304.8mm x 304.8mm	18 lbs 8.16 kg
<b>Orient 1000:</b> 43" x 10" x 6" 1092.2mm x 304.8mm x 152.4mm	12 lbs 5.44 kg	<b>Orient 2 1000:</b> 43" x 12" x 12" 1092.2mm x 304.8mm x 304.8mm	18 lbs 8.16 kg

**Recommended Substrate:** Dye-sub material, Vinyl, Scrim Vinyl, Flag Material

**Included in Kit:** Base, top rail, bungee cord pole, and carry bag

Can add lighting with any of our lights

Lumina 2 is recommended

Must order universal connector for Lumina 7 and Lumina 200

-Adhesive top rail attachment recommended for short-term use, grippa top rail attachment recommended for long term, semi-permanent graphic attachment.

We are continually improving and modifying our product range and reserve the right to vary the specifications without prior notice. All dimensions and weights quoted are approximate and we accept no responsibility for variance. E&OE. See Graphic Templates for graphic bleed specifications.