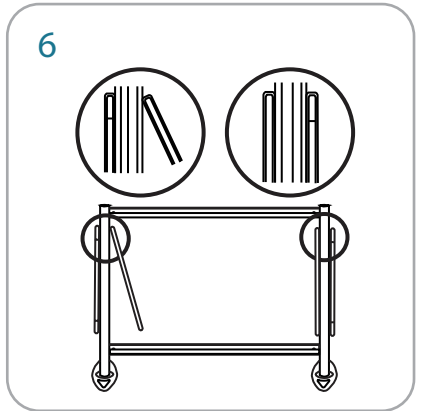
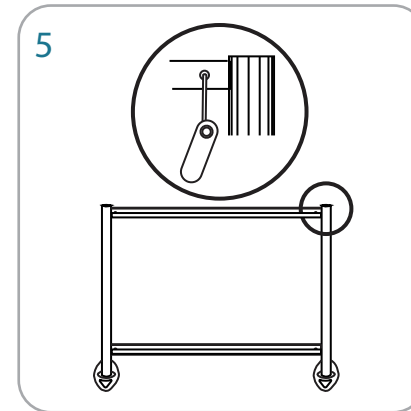
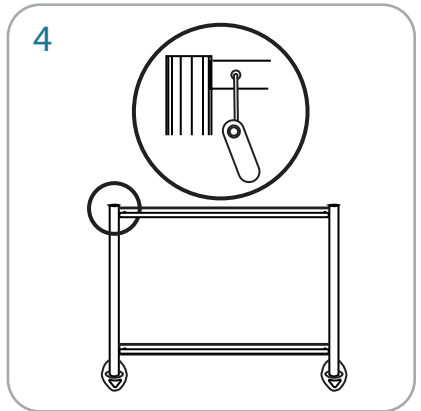
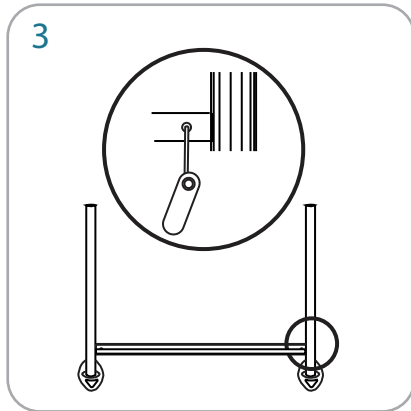
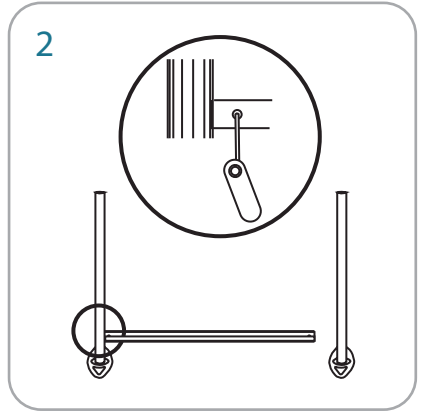
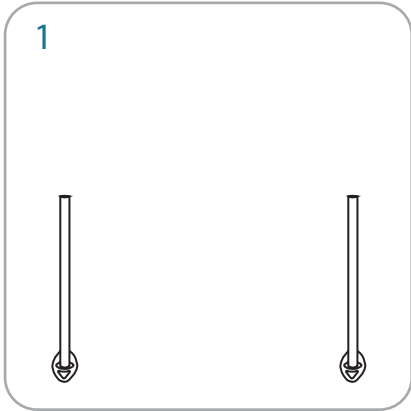
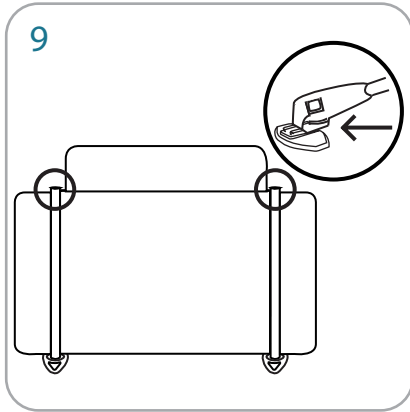
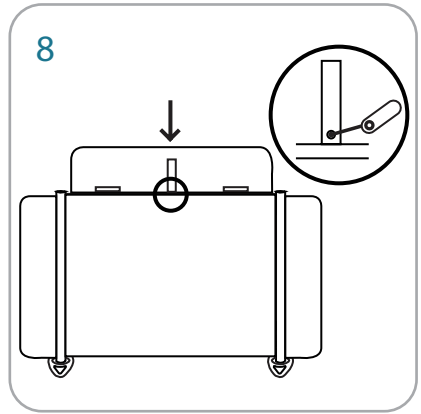
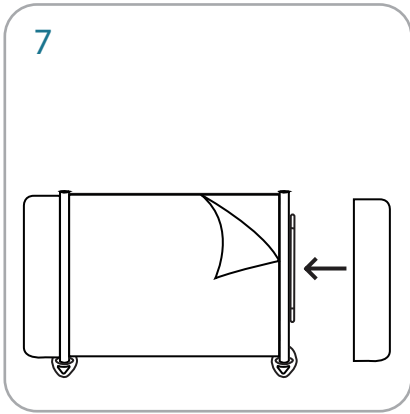


The Linear System provides the look, style, and sophistication of a semi-custom exhibit with the ease, convenience, and value for money trade price that you are looking for. The Linear range of portable exhibits is designed to ship with minimal lead time, and is a terrific “off the shelf” solution for tradeshow and semi-permanent displays.

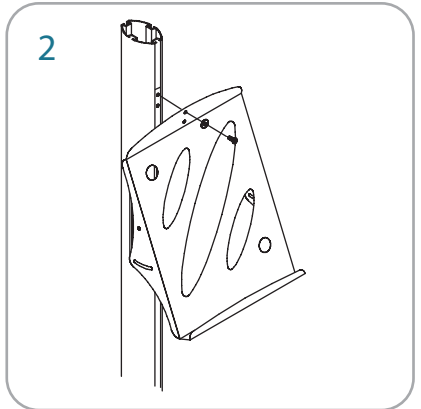
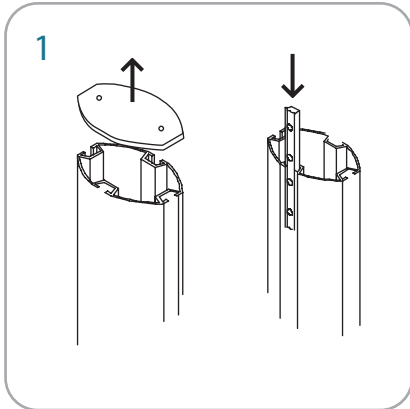


Assembly





Literature Rack



## Features and Benefits

- “Off the shelf” quick ship availability
- Kit includes lights, hex tool, and case
- Lightweight, modular aluminum frame
- UPS shippable case

## Display Dimensions

74" w x 16" d x 55" h (w/o lights)  
1880mm w x 406mm d x 1397mm h (w/o lights)

Weight: 30 lbs, 13.6 kg

### Graphic Dimensions

Center Graphics	
Total Size	47" w x 43" d
	1193.8mm w x 1092.2mm h
Trim Size	46" w x 42" h
	1168.4mm w x 1066.8" h
Left & Right Wings	
Total Size	13" w x 43" h
	330.2mm w x 1092.2mm h
Trim Size	12" w x 42" h
	304.8mm w x 1066.8mm h
Header	
Total Size	46" w x 12" h
	1168.4mm w x 304.8mm h
Trim Size	45" w x 11" h
	1143mm w x 279.4mm h

### Additional Information

**Shipping Size:** 50" x 28" x 12"  
1270mm x 711mm x 305mm

**Shipping Weight:** 55 lbs, 25 kg

**Shipped In:** Molded OCH Case

**Graphic Substrate:** 20mil (center graphic) and 3mm styrene (wing/headers)

**Lights:** Choose 2 of our Lumina Lights to accentuate your display

**Kits (Header & Wing Shapes):**



We are continually improving and modifying our product range and reserve the right to vary the specifications without prior notice. All dimensions and weights quoted are approximate and we accept no responsibility for variance. E&OE. See Graphic Templates for graphic bleed specifications.