

Barracuda

Stylish design and proven reliability makes the Barracuda a popular quality banner stand. The Barracuda is one of the most feature-rich single sided retractable banner stands available and has been specially designed for maximum convenience and ease of use.



Features and Benefits

- Variable height = 29.5" - 83.35"
- Graphic tensioner
- Integrated pole storage for the twist & lock telescopic pole
- Supplied with quality carry bag

Dimensions

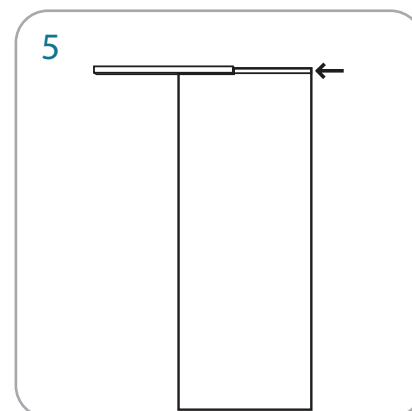
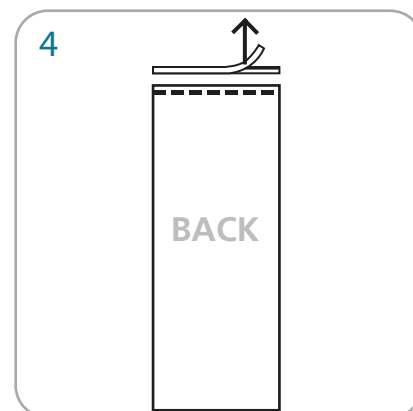
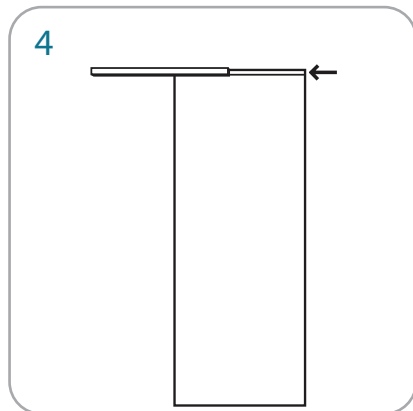
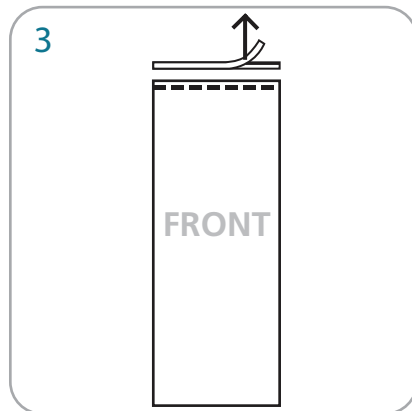
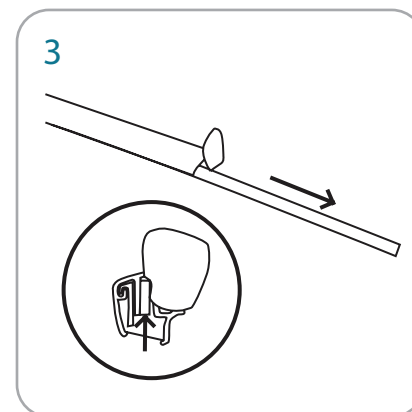
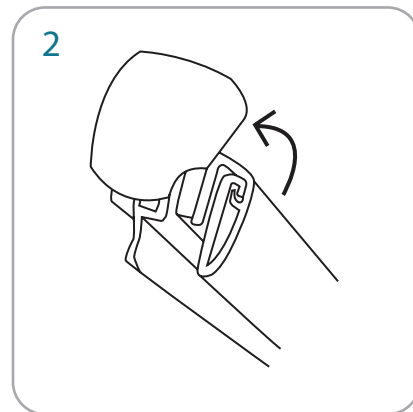
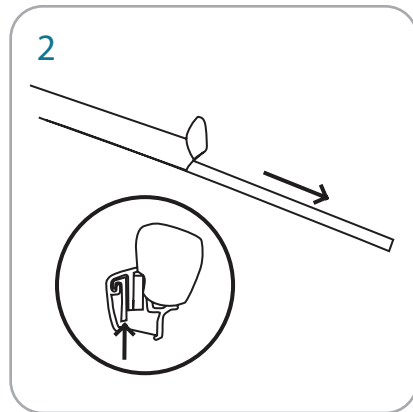
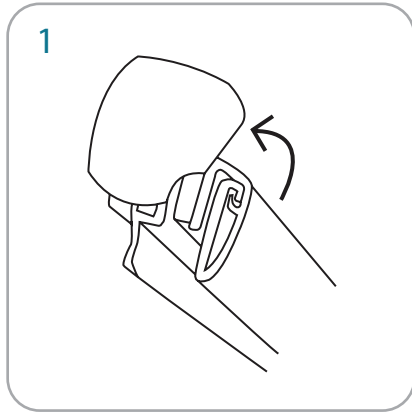
Hardware Dimensions	Graphic Dimensions
<p>Hardware Dimensions: 87"(h) x 33.5"(w) x 7.5"(d) approx. 2209.8mm(h) x 850mm(w) x 190.5mm(d) approx.</p> <p>Base Dimensions: 3"(h) x 33.5"(w) x 7.5"(d) approx. 80mm(h) x 855mm(w) x 195mm(d) approx.</p> <p>Weight: 10 lbs (4.5 kg) approx (including carry bag)</p>	<p>31.5"w x 29.5"h up to 83.35"h (plus .5" bleed at the top and 6" bleed at the bottom)</p> <p>800.1 mm w x 749.3 mm h up to 2117.1 mm h (plus 12.7 mm bleed at the top and 152.4 mm bleed at the bottom)</p>

Additional Information

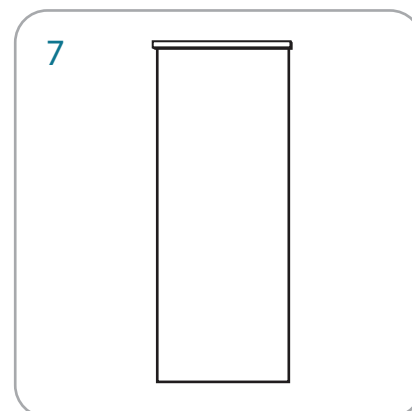
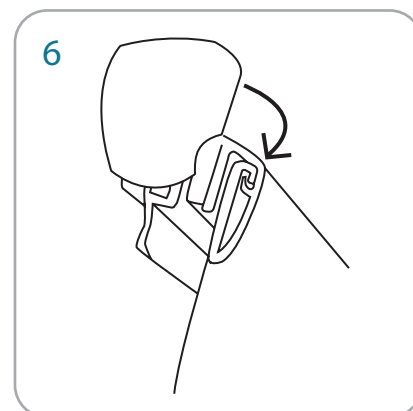
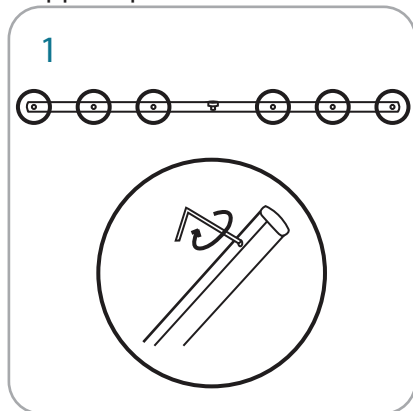
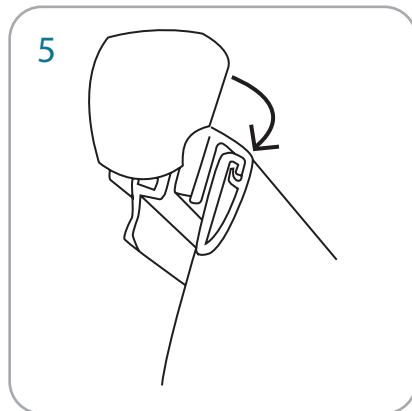
<p>Shipping Dimensions: 36" x 10" x 5" 914.4mm x 254mm x 127mm</p> <p>Shipping Weight: 12 lbs / 5.44 kg</p> <p>Can add lighting with any of our lights. Lumina 2 is recommended. Must order universal connector for Lumina 7 & Lumina 200</p> <p>Recommended Substrate: 13oz. smooth vinyl, 7oz. cotton, 14oz. anti-curl vinyl, 8oz. oxford, 11mil melenex</p> <p>Bag Dimensions: 33" x 8" x 3"</p>	<p>Grippa top rail attachment recommended for semi-permanent or long term use. Adhesive top rail attachment recommended for short term use.</p> <p>WARNING: Always attach graphic to base and top rail before removing the locking pin. After fitting, the graphic should be left for 24 hours before use to ensure the adhesive bonds sufficiently. Opening the base will invalidate the product warranty.</p> <p>Graphic tension may be re-applied or added by turning the ratchet tensioner clockwise.</p> <p>Included in Kit: Base, top rail, telescopic pole and carry bag</p>
--	--

We are continually improving and modifying our product range and reserve the right to vary the specifications without prior notice. All dimensions and weights quoted are approximate and we accept no responsibility for variance. E&OE. See Graphic Templates for graphic bleed specifications.

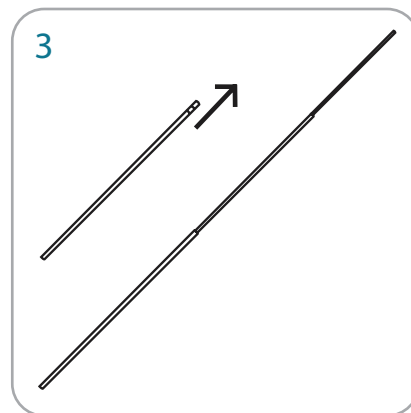
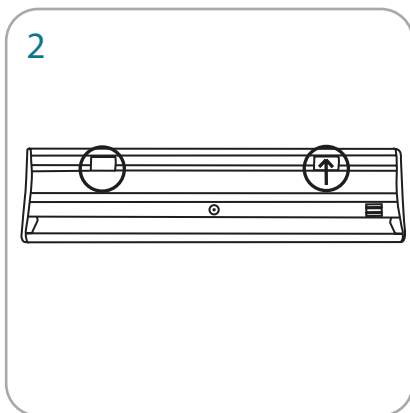
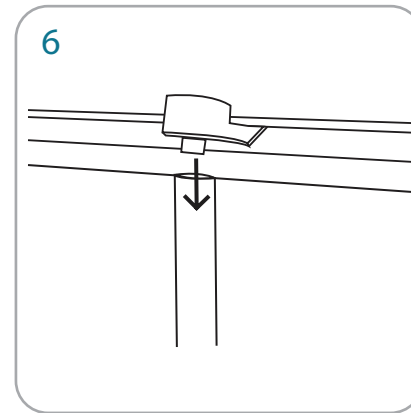
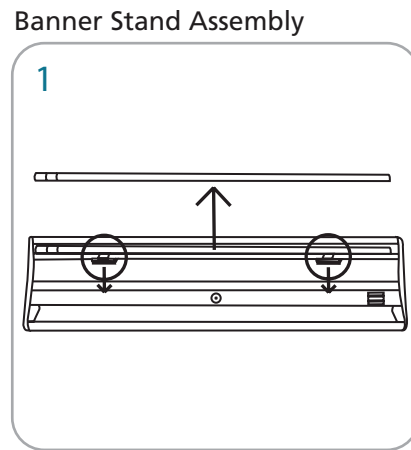
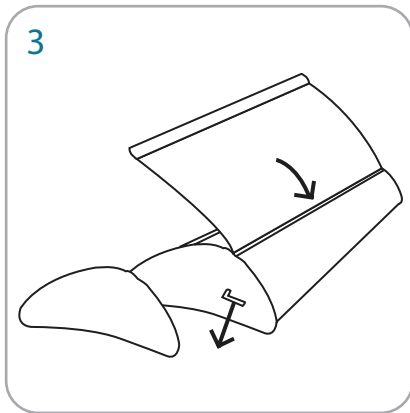
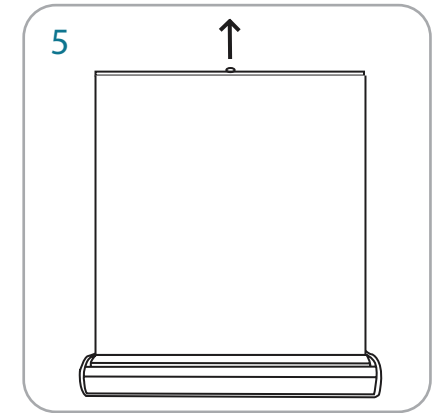
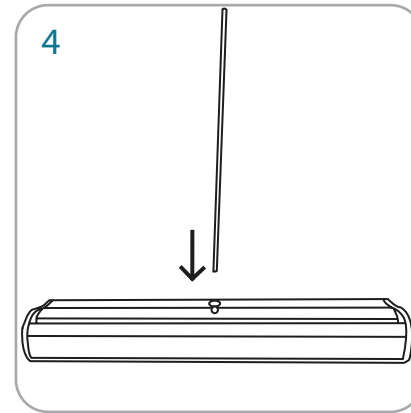
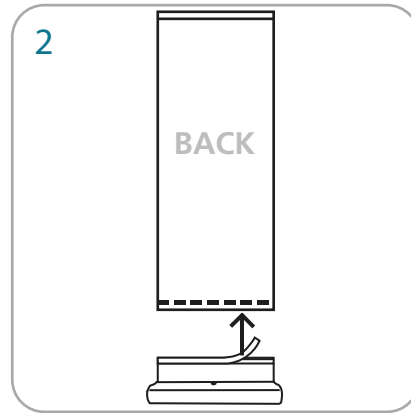
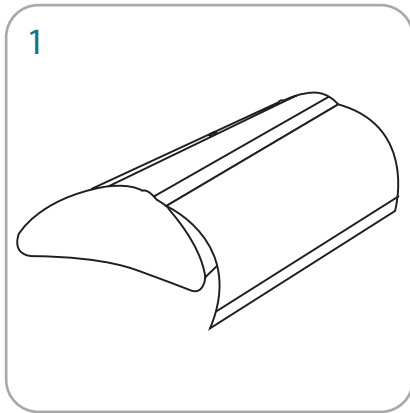
Adhesive Top Rail Attachment



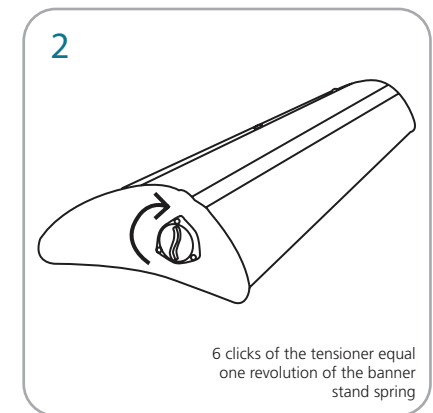
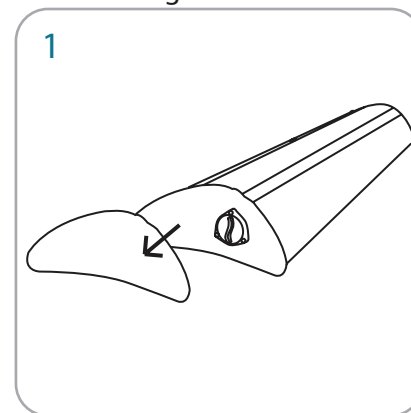
Grippa Top Rail Attachment



Bottom Graphic Attachment



Retensioning



6 clicks of the tensioner equal one revolution of the banner stand spring