

# Elevate

At a towering 97" high, over 8' tall, this banner stand makes a maximum impact with the ease and convenience of a retracting banner.



## Features and Benefits

- Includes carry bag
- Super tall 4 piece telescopic pole
- Removable roller
- Adjustable feet
- Snap rail

## Dimensions

Base Dimensions: 8" d x 2.75" t x 35.5" w

Complete Unit Dimensions: 3.75" d x 97" t x 35.5" w

Weight: 10 lbs

Graphic Dimensions: 33.25" w x 95.25" h (plus 1/2" bleed at top and 6" bleed at bottom)  
minumum height: 34.5"

Bag Dimensions: 36.5" x 9" x 4"

## Additional Information

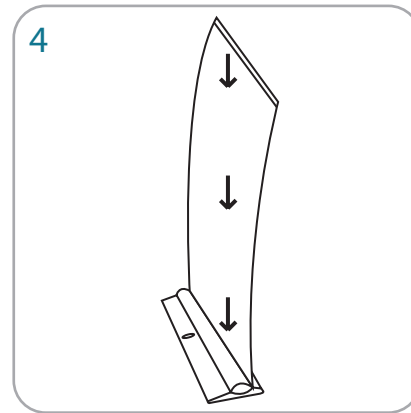
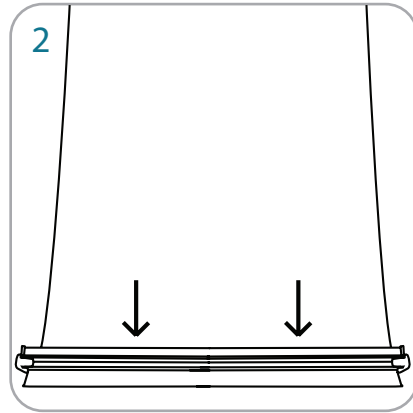
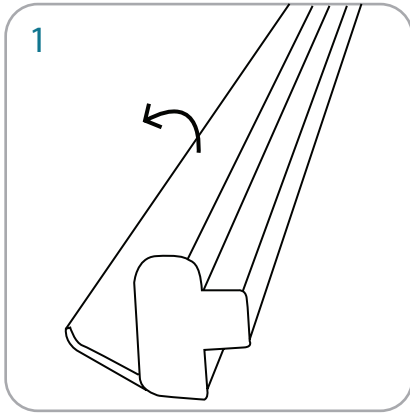
Shipping Dimensions: 39" x 10" x 6"

Shipping Weight: 14lbs

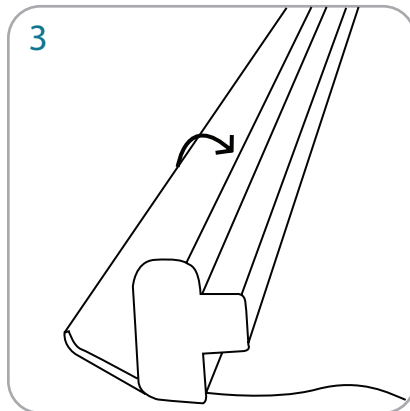
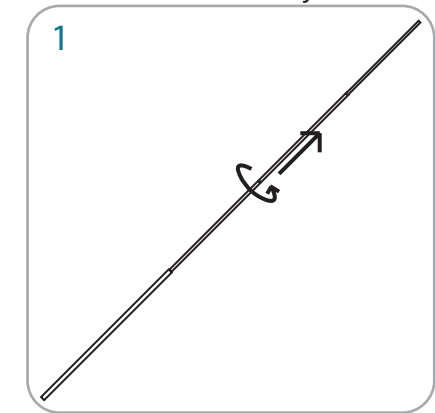
Ships in box

We are continually improving and modifying our product range and reserve the right to vary the specifications without prior notice. All dimensions and weights quoted are approximate and we accept no responsibility for variance. E&OE. See Graphic Templates for graphic bleed specifications.

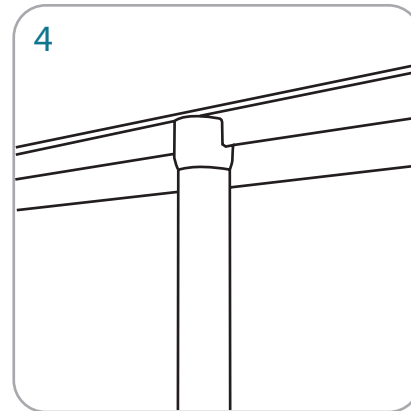
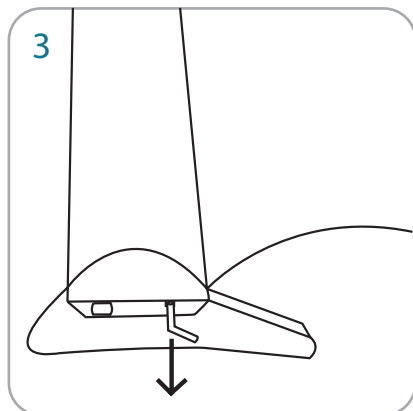
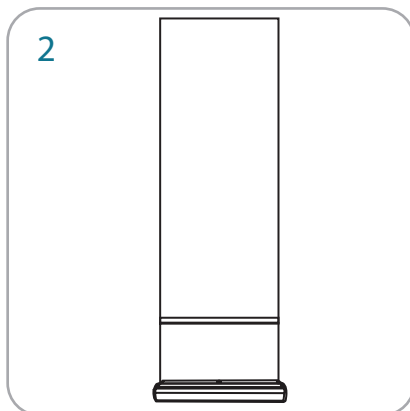
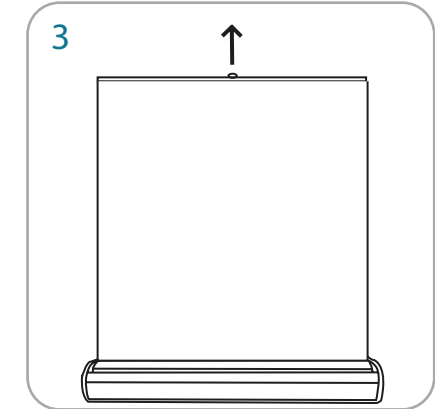
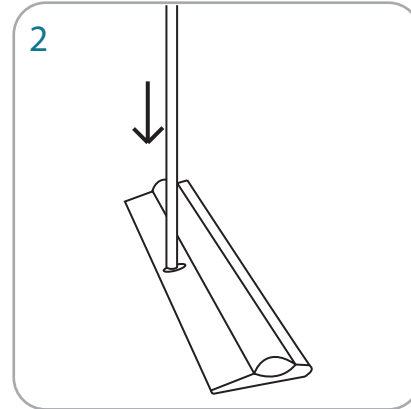
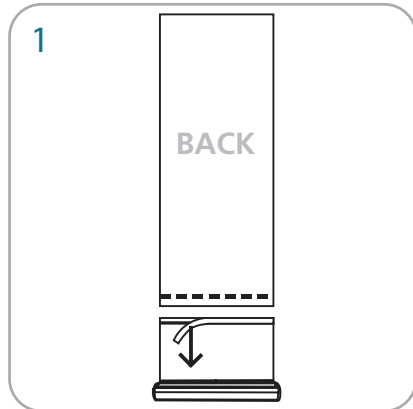
### Adhesive Top Rail Attachment



### Banner Stand Assembly



### Bottom Graphic Attachment - Cassette



## Retensioning

