

An excellent choice for a tripod banner stand, the Dash is available as a single sided or double sided banner stand. It is made of anodized aluminum and has an optional literature pocket to add even more functionality. It is very stable and is quick and easy to erect. A carry bag is included.



Features and Benefits

- Quick to assemble and easy to use
- Lightweight aluminium components
- Snap frame rails enable easy graphic changes
- Dash and Dash Mega include carry bag
- Comes in anodized silver
- Optional literature pocket

Dimensions

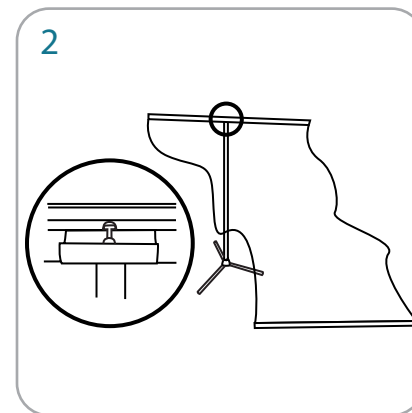
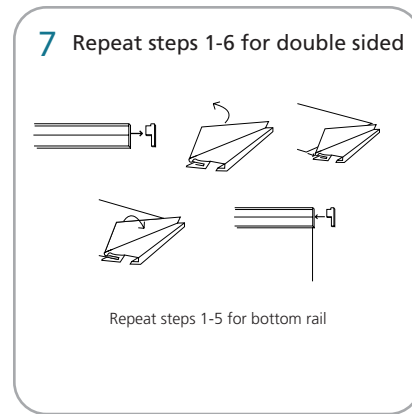
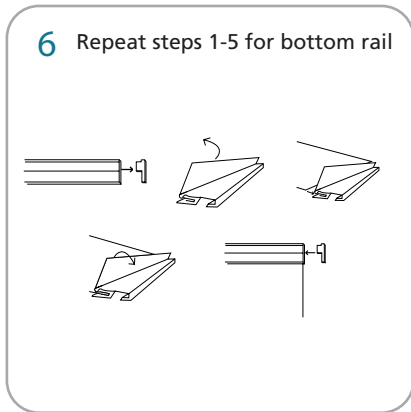
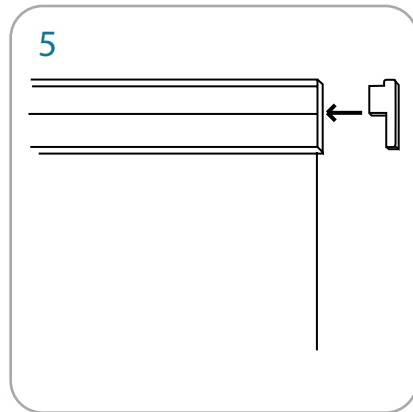
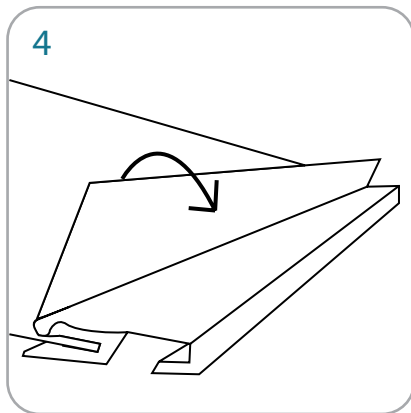
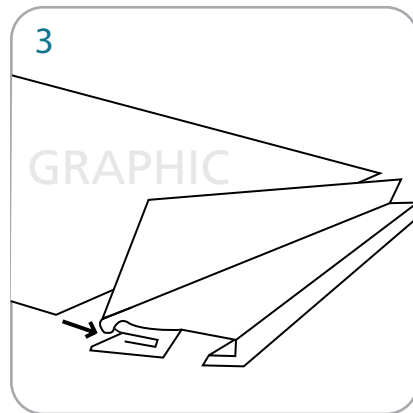
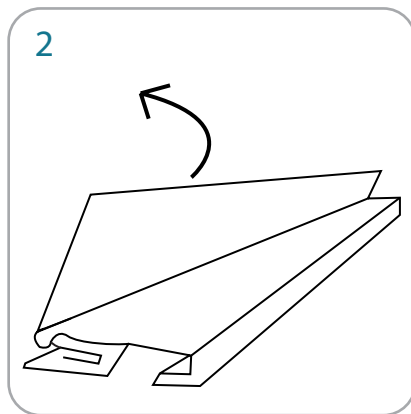
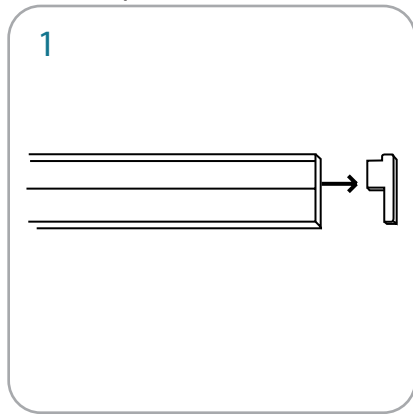
Hardware Dimensions	Graphic Dimensions
19" d x 36" w x Variable Heights 482.6m d x 914.4mm w x Variable Heights Weight: 3.7 lbs / 1.68kg	Graphic Dimensions: Dash Mini: 31.5" w x up to 78.5" h (plus .5" bleed at the top and bottom of the graphic) Dash Mega: 36" w x up to 93.5" h (plus 3/4" bleed at the top and bottom of the graphic) Dash Mini w/ Lit Pocket: 31.5" w x 44" h (plus .5" bleed at the top and bottom of each graphic) Contour Cuts Available

Additional Information

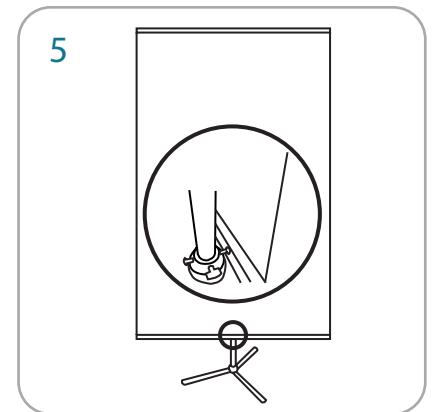
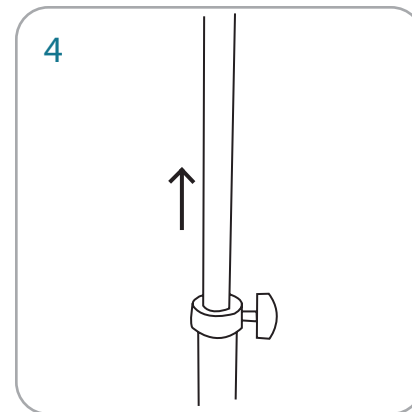
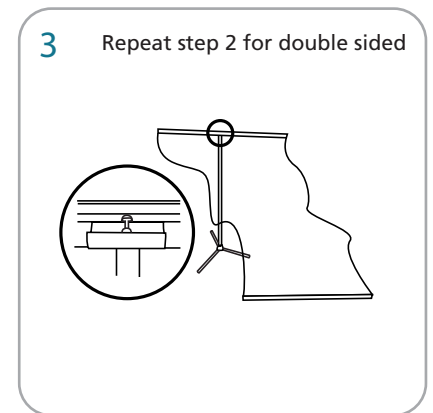
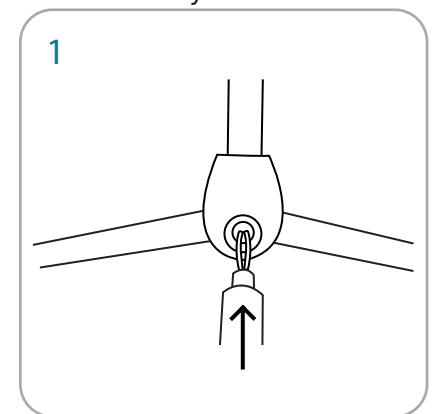
Shipping Dimensions: 49" x 8" x 8" (approx.) 1244.6" x 203.2" x 203.2"	Recommended substrate: 13 oz. smooth vinyl, 7 oz. light cotton, 14 oz. anti-curl vinyl, 8 oz. oxford
Shipping Weight: 11 lbs / 5kg (approx.)	Literature Pocket: An optional 3 pocket literature dispenser fits on the Dash only, not available for Dash Mega Each pocket is 10" w x 12" h (254mm x 305mm) Unit Size: 31.25" w x 12.5" h (794mm x 317mm)
Recommended Light: Lumina 2	

We are continually improving and modifying our product range and reserve the right to vary the specifications without prior notice. All dimensions and weights quoted are approximate and we accept no responsibility for variance. E&OE. See Graphic Templates for graphic bleed specifications.

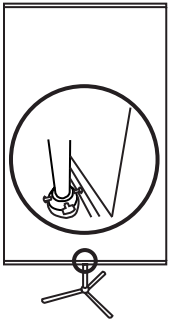
Dash Graphic Attachment



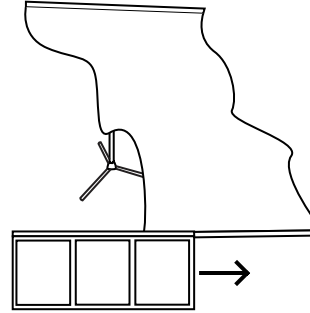
Dash Assembly



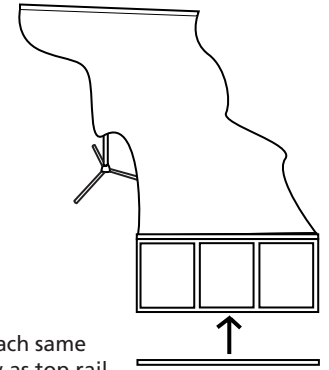
6 Repeat step 5 for double sided



5

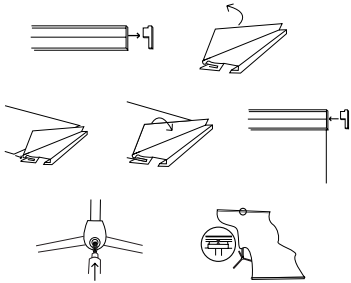


6

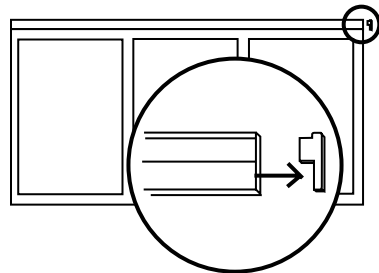


Lit Pocket Assembly

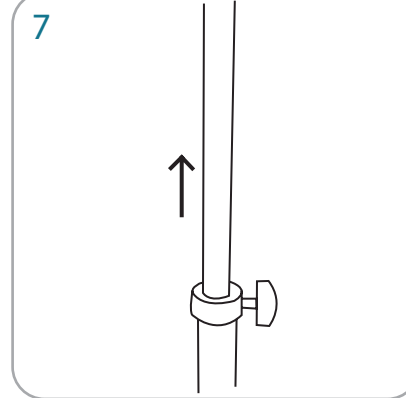
1 Follow steps 1-5 of graphic attachment and steps 1-2 of Dash Assembly



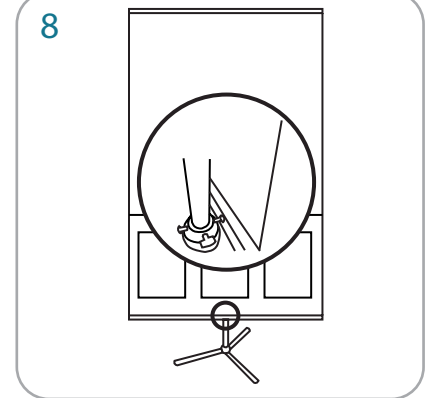
2



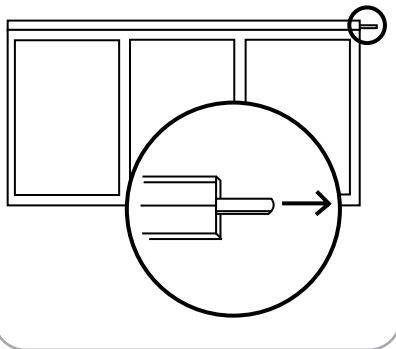
7



8



3



4

